

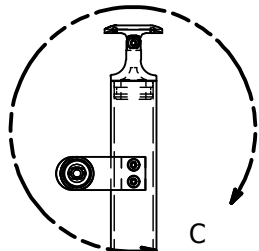
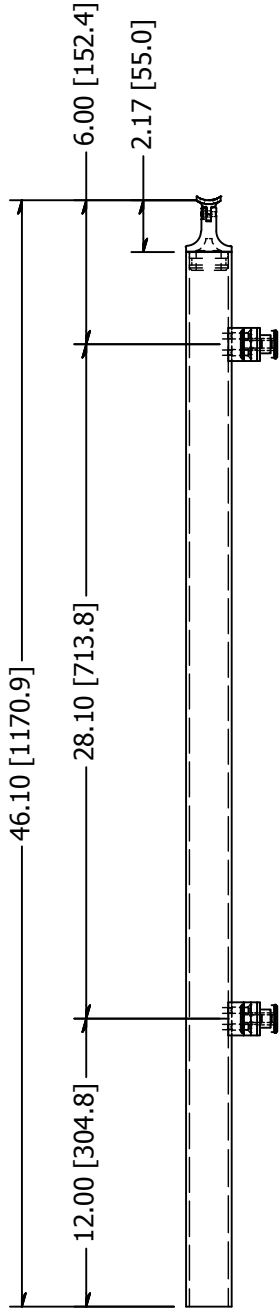


PARTS LIST

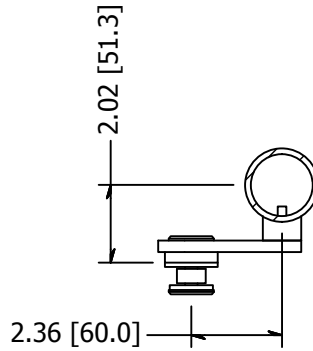
ITEM	QTY	PART NUMBER	DESCRIPTION
1	1	LG31942FEMA	Post, Stainless Steel, 1-1/2 Inch Pipe (1.90 OD) Sch 40, 42 High, Brushed Satin Finish, Grade 316, Embed Mount, Post Assembly
2	2	LXFP30-1	Point Fitting, Stainless Steel, 30 mm Head, 1 Point, Flat Plate, Brushed Satin Finish, Grade 316, 0.50 Inch Glass
3	2	LXFP30-1.90	Point Fitting, Stainless Steel, 1.90" OD Adapter, Brushed Satin Finish, Grade 316, 0.50 Inch Glass
4	4	FAH3NM06C-0030	Screw, Stainless Steel, M6-1.0 x 30mm, Socket Flat Head Machine Screw, A4-70
5	1	SS507	SADDLE, SWIVEL, CAST W/ HOLES

B

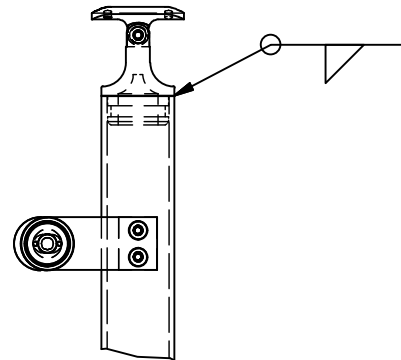
B



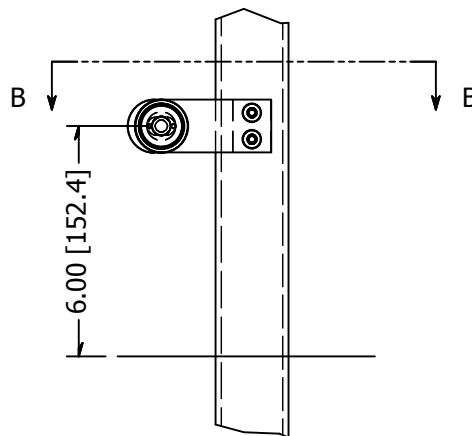
C



SECTION B-B



DETAIL C



DETAIL A

A

A

<p>TOLERANCE</p> <p>X.X..... = ± .060</p> <p>X.XX..... = ± .030</p> <p>X.XXX..... = ± .010</p> <p>XX°..... = ± 1°</p> <p>UNLESS OTHERWISE NOTED</p>	<p>MATERIAL:</p> <p>316 Stainless</p>	<p>DESCRIPTION:</p> <p>End Post, Stainless Steel, 1-1/2 Inch Pipe (1.90 OD) Sch 40, 42 High, Brushed Satin Finish, Grade 316, Embed Mount, Flat Plate</p>		
	<p>FINISH:</p> <p>Satin Brushed</p>	<p>DATE:</p> <p>4/20/2015</p>	<p>REV:</p> <p>1</p>	<p>WAGNER</p>
	<p>WEIGHT:</p> <p>12.63 lbmass</p>	<p>DRAWN BY:</p> <p>T. Kolbach</p>	<p>COLLABORATIVE METAL WORKS</p>	
			<p>ITEM NUMBER:</p> <p>LG31942DEEM.4</p>	

