

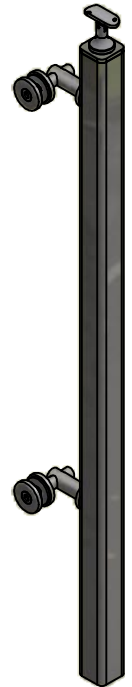
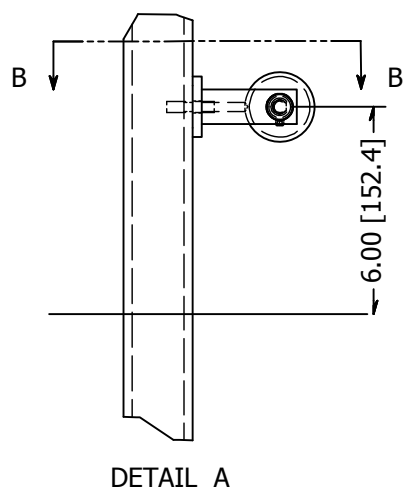
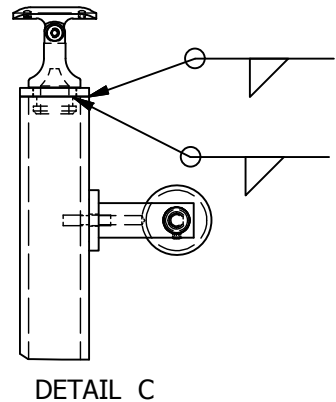
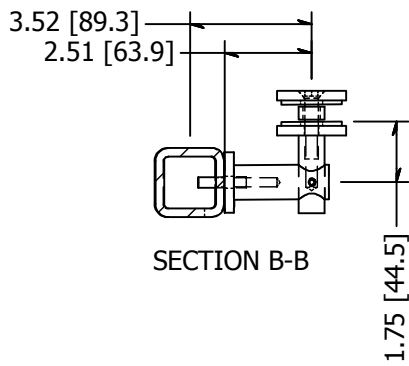
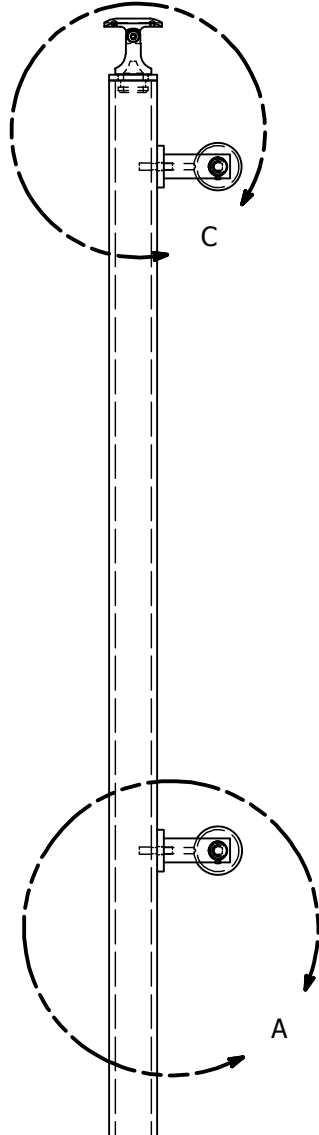
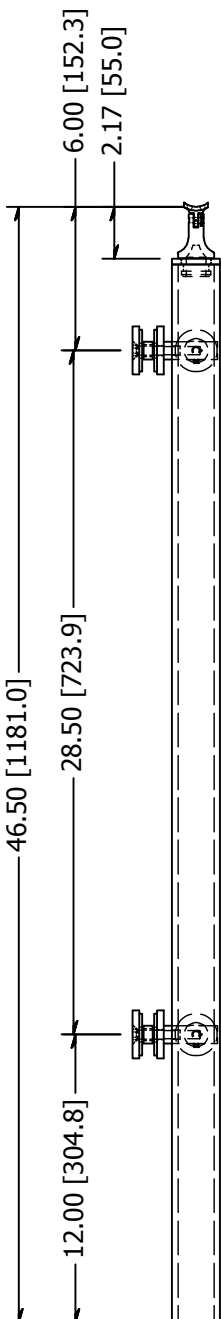


PARTS LIST

ITEM	QTY	PART NUMBER	DESCRIPTION
1	1	LG32242EEMA	End Post, Stainless Steel, 2.00 Inch Square x 0.25 Inch Wall, 42 High, Brushed Satin Finish, Grade 316, Embed Mount, Post Assm
2	2	LXTB51-1	Point Fitting, Stainless Steel, 51 mm Head, 1 Point, Tubular Body, Brushed Satin Finish, Grade 316, 0.50 Inch Glass
3	1	SS507	SADDLE, SWIVEL, CAST W/ HOLES

B

B



A

A

<p>TOLERANCE</p> <p>X.X..... = ± .060</p> <p>X.XX..... = ± .030</p> <p>X.XXX..... = ± .010</p> <p>XX°..... = ± 1°</p> <p>UNLESS OTHERWISE NOTED</p>	MATERIAL:	DESCRIPTION:		
	316 Stainless	End Post, Stainless Steel, 2.00 Inch Square x 0.25 Inch Wall, 42 High, Brushed Satin Finish, Grade 316, Embed Mount, 2-Point		
	FINISH:	DATE:	REV:	
	Satin Brushed	4/20/2015	1	
WEIGHT:	DRAWN BY:		COLLABORATIVE METAL WORKS	
25.19 lbmass	T. Kolbach		LG32242CEEM.4	

