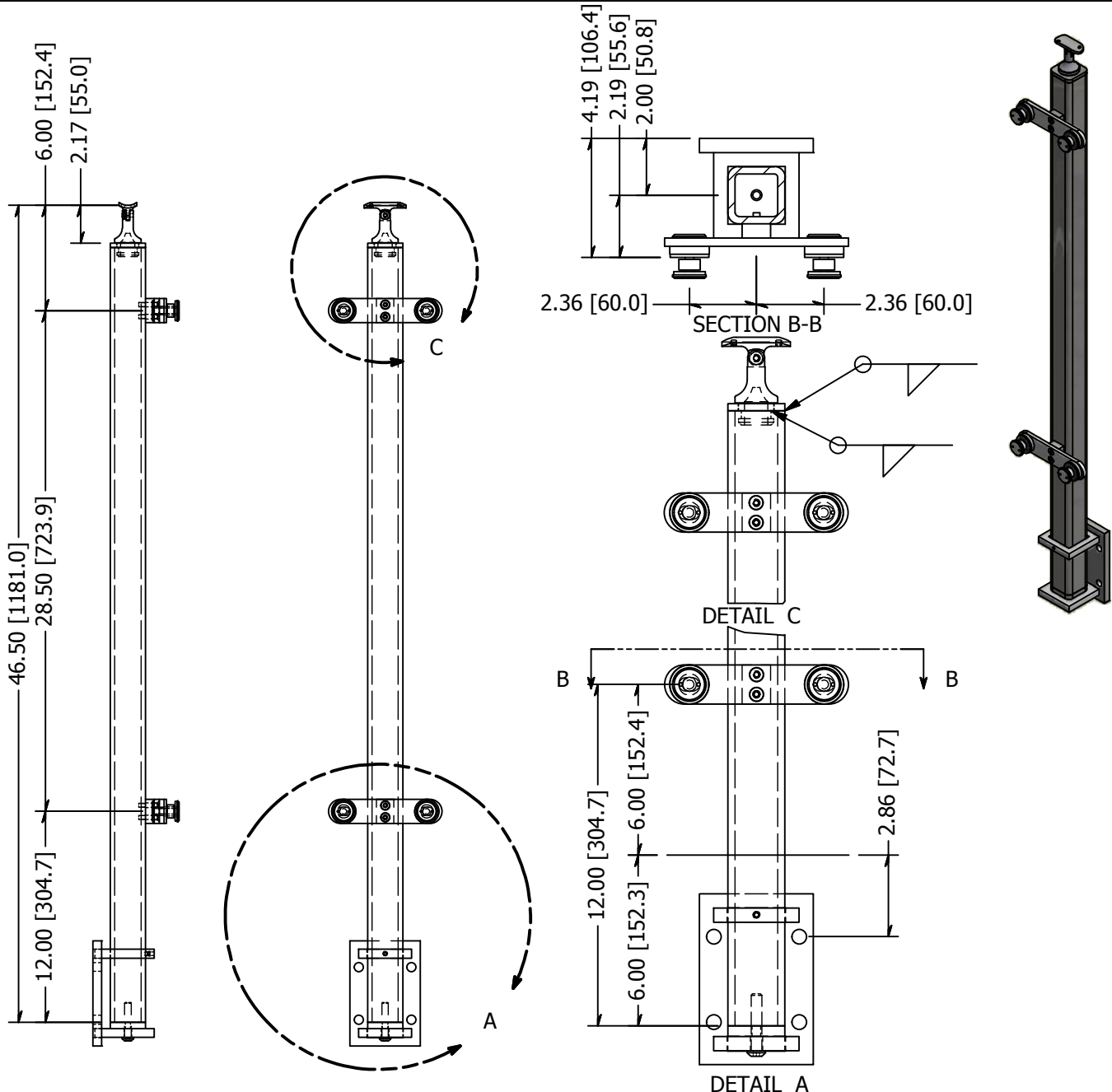


ITEM	QTY	PART NUMBER	DESCRIPTION
1	1	LG32242FFMA	Post, Stainless Steel, 2.00 Inch Square x 0.25 Inch Wall, 42 High, Brushed Satin Finish, Grade 316, Fascia Mount, Post Assm
2	1	LG322FM	Flange, Stainless Steel, Fascia Mount For 2 Inch Square Post, Satin Brushed Finish, Type 316
3	1	BAH3N3816-0200	SCREW, SS, 3/8-16 X 2.00 Inch, Button, Allen Head
4	2	LXFP30-2	Point Fitting, Stainless Steel, 30 mm Head, 2 Point, Flat Plate, Brushed Satin Finish, Grade 316, 0.50 Inch Glass
5	2	LXFP30-FLAT	Point Fitting, Stainless Steel, Flat Adapter, Brushed Satin Finish, Grade 316, 0.50 Inch Glass
6	4	FAH3NM06C-0030	Screw, Stainless Steel, M6-1.0 x 30mm, Socket Flat Head Machine Screw, A4-70
7	1	SS507	SADDLE, SWIVEL, CAST W/ HOLES



TOLERANCE X.X..... = ± .060 X.XX..... = ± .030 X.XXX..... = ± .010 XX°..... = ± 1° UNLESS OTHERWISE NOTED	MATERIAL:	316 Stainless			DESCRIPTION:	Intermediate Post, Stainless Steel, 2.00 Inch Square x 0.25 Inch Wall, 42 High, Brushed Satin Finish, Grade 316, Fascia Mnt,Flt	
	FINISH:	Satin Brushed		DATE:	4/20/2015	REV:	1
	WEIGHT:	30.28 lbmass		DRAWN BY:	T. Kolbach		
					ITEM NUMBER:	LG32242DMFM.4	
						COLLABORATIVE METAL WORKS	